

Model B-ID

PRECISION BREW™ Insulated Decanter Brewer



Model B-ID

(Insulated decanter sold separately)

Digitally controlled insulated decanter brewer holds brew temperature to $\pm 1^{\circ}\text{F}$ throughout the brew cycle. Brew temperature, brew volume, operator defined pre-infusion/pulse brewing, and low temp/no brew are programmable from the front display.



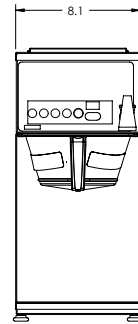
GRINDMASTER™
CORPORATION



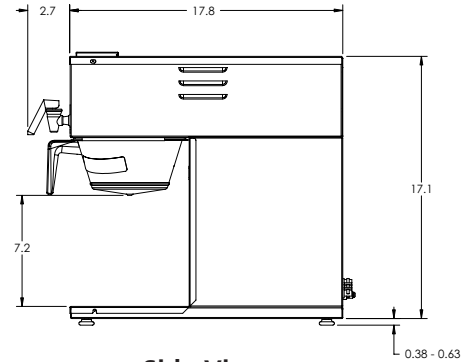
Model B-ID

Features

- Model B-ID is a single, digitally controlled brewer that brews into a 1.9L (64oz.) stainless steel vacuum insulated decanter (decanter sold separately).
- The vacuum insulated, stainless steel decanters model SS-1.9LR (regular) and SS1.9LD (decaf), hold freshly brewed coffee for hours without additional heat.
- Precise Brew Temperature - The brewer will hold the brew temperature to +/- 1°F during the complete brew cycle.
- Brew Volume - Can be set by 'teach' mode to eliminate trial-and-error set-up.
- Pulse brewing/pre-infusion - Allows the brew sequence to extract up to 20% more dissolved solids per batch of coffee. Programmable: number of pulses, pulse-on time and pulse-off time. Changing the pulse sequence does not affect the brew volume.
- Low Temp/No Brew - Allows the brew cycle to begin only when the water has reached the optimum brew temperature.
- Cycle Counter - The brewer counts the total number of brew cycles.
- Programming Lock-Out - The brewer settings can be "locked" to prevent tampering.
- Pour-Over Capability - Automatically converts to pour-over mode when the inlet valve does not sense water. Also capable of being manually set to pour-over mode through the front.
- Dual Voltage with toggle switch models are available to accept 120/240V or 120V supply
- Model B-ID-120V has a plastic brew basket.
- Warranty - 2 years parts and labor on the brewer. 4 years part warranty on the control board.



Front View



Side View

Specification	Model B-ID	Model B-ID-120V
Electrical	120V/ 1780W/ 14.9A 120/240V/ 3500W/ 14.6A 120/208V/ 2630W/ 12.7A <i>European voltages available.</i>	120V/ 1780W/ 14.9A
Brew Capacity (# of 1.9L insulated decanters / hour)	@ 120V: 8 @ 208V: 12 @ 240V: 16	@ 120V: 8
Water Line	1/4" flare	1/4" flare
Water Line Pressure	30-80 psi	30-80 psi
Tank Drain	Yes	Yes
Tank Size	1.38 gallons	1.38 gallons
Dimensions (H x W x D)	17-3/4" x 8-1/4" x 17-3/4" (45 cm x 21 cm x 45 cm)	17-3/4" x 8-1/4" x 17-3/4" (45 cm x 21 cm x 45 cm)
Ship Dimensions (H x W x D)	22" x 13" x 24" (56 cm x 33 cm x 61 cm)	22" x 13" x 24" (56 cm x 33 cm x 61 cm)
Weight	28 lbs (12.7 kg)	28 lbs (12.7 kg)
Ship Weight	37 lbs (16.8 kg)	37 lbs (16.8 kg)
Listings	UL, CUL, NSF, (CE for E models only)	UL, CUL, NSF, (CE for E models only)

Specifications are subject to improvement or change without notice.



GRINDMASTER™
CORPORATION

Grindmaster® Coffee Grinders and Brewers • Espresso® Espresso Machines • Crathco® Hot Beverage Dispensers
Crathco® Cold and Frozen Beverage Dispensers • American Metal Ware® Coffee and Tea Systems
Tel (502) 425-4776 • Fax (502) 425-4664 • 1-800-695-4500 (USA & Canada only)

P.O. Box 35020 • Louisville, KY 40232 • USA